

Item description/product images



Description

Material:

Tread light brown Extrathane® Shore 92A or white polyamide 6 Shore 80D.

Note:

The tread is firmly bonded onto a ball bearing.

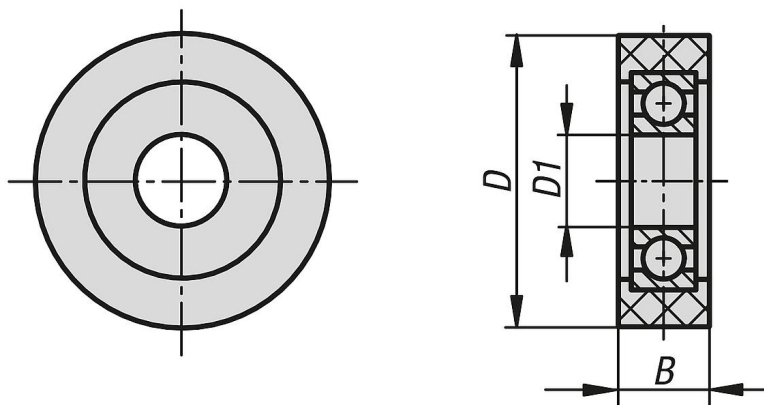
Extrathane tread: quiet running, low roll resistance, elastic, gentle on floors, very wear resistant, high cut and tear resistance, non-marking, non-staining.

Polyamide 6 tread: unbreakable, very low roll resistance, light running on smooth floors, very wear resistant.

Uses: conveyor belts, doors, etc.

Other sizes on request.

Drawings



Overview of items

| Order No. | Version 1 | Material tread | Wheel bearing | D | D1 | B | Ball bearing | Permissible load kg |
|--------------|------------------------|----------------|---------------|----|----|----|--------------|---------------------|
| 95057-03008 | without locking system | extrathane | ball bearing | 30 | 6 | 8 | 626 2RS | 20 |
| 95057-03514 | without locking system | extrathane | ball bearing | 35 | 12 | 14 | 60002RS | 40 |
| 95057-04020 | without locking system | extrathane | ball bearing | 40 | 10 | 20 | 60002RS | 40 |
| 95057-05015 | without locking system | extrathane | ball bearing | 50 | 10 | 15 | 6200 2RS | 60 |
| 95057-06020 | without locking system | extrathane | ball bearing | 60 | 17 | 20 | 6203 2RS | 90 |
| 95057-07020 | without locking system | extrathane | ball bearing | 70 | 25 | 20 | 6205 2RS | 125 |
| 95057-030081 | without locking system | polyamide 6 | ball bearing | 30 | 6 | 8 | 626 2RS | 35 |
| 95057-035111 | without locking system | polyamide 6 | ball bearing | 35 | 8 | 11 | 6082RS | 55 |
| 95057-040201 | without locking system | polyamide 6 | ball bearing | 40 | 10 | 20 | 6200 2RS | 100 |
| 95057-050151 | without locking system | polyamide 6 | ball bearing | 50 | 10 | 15 | 6200 2RS | 100 |
| 95057-060201 | without locking system | polyamide 6 | ball bearing | 60 | 17 | 20 | 6203 2RS | 165 |
| 95057-070201 | without locking system | polyamide 6 | ball bearing | 70 | 25 | 20 | 6205 2RS | 185 |

