

Item description/product images



Description

Material:

High-performance polymer iglidur® G.

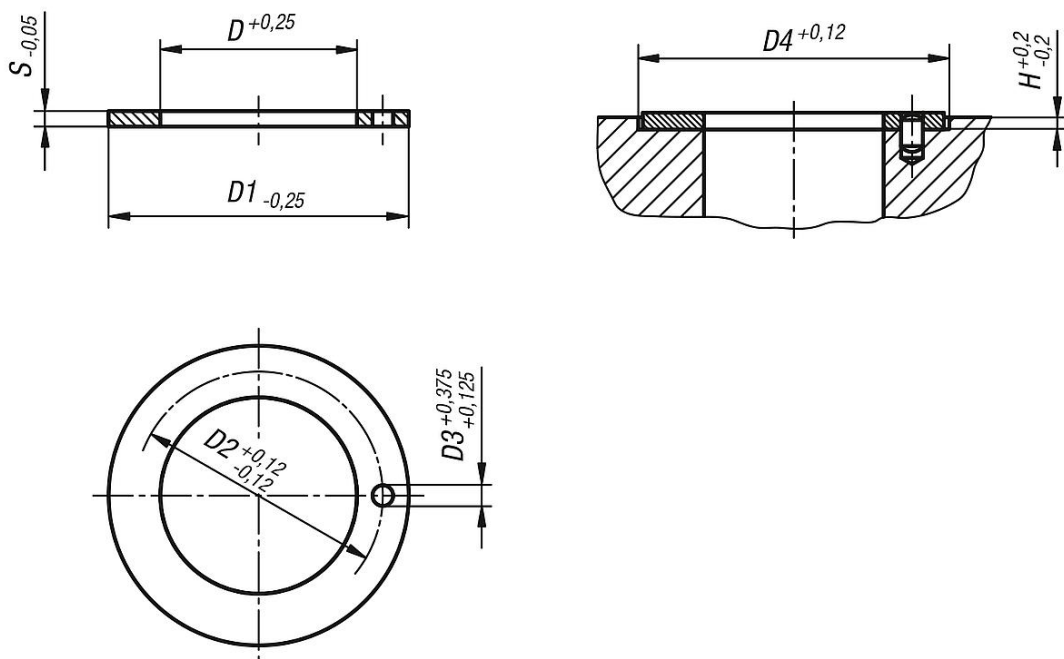
Version:

grey.

Note:

Maintenance-free and lubricant-free thrust washers. They take up axial loads by rotational motion. The loading can be either alternating or permanent. Electrically insulating. Resistant to UV radiation.

Drawings



Overview of items

Order No.	D	D1	D2	D3	D4	H	S	Max. permissible static surface pressure N/mm ²	Temperature range
23715-1050906	5	9,5	-	-	9,5	0,3	0,6	80	-40 °C to +130 °C
23715-1061515	6	15	-	-	15	1	1,5	80	-40 °C to +130 °C
23715-1081810	8	18	-	-	18	0,7	1	80	-40 °C to +130 °C
23715-1101810	10	18	-	-	18	0,7	1	80	-40 °C to +130 °C
23715-1122415	12	24	18	1,5	24	1	1,5	80	-40 °C to +130 °C
23715-1142015	14	20	-	-	20	1	1,5	80	-40 °C to +130 °C
23715-1152415	15	24	19,5	1,5	24	1	1,5	80	-40 °C to +130 °C
23715-1163015	16	30	22	2	30	1	1,5	80	-40 °C to +130 °C
23715-1183215	18	32	25	2	32	1	1,5	80	-40 °C to +130 °C
23715-1203615	20	36	28	3	36	1	1,5	80	-40 °C to +130 °C
23715-1223815	22	38	30	3	38	1	1,5	80	-40 °C to +130 °C
23715-1244215	24	42	33	3	42	1	1,5	80	-40 °C to +130 °C
23715-1264415	26	44	35	3	44	1	1,5	80	-40 °C to +130 °C
23715-1284815	28	48	38	4	48	1	1,5	80	-40 °C to +130 °C

Overview of items
